



## TDUX - Inflatable Duct Seal, size 125

- Flexible and reliable wraparound inflatable sealing system for cables
- Fast and easy to install or remove, even when water is flowing out of the duct
- Independent of duct or cable ovality
- Water and airtight up to 50 kPa (7 psi)
- Environmentally friendly, non-toxic and resistant to chemicals

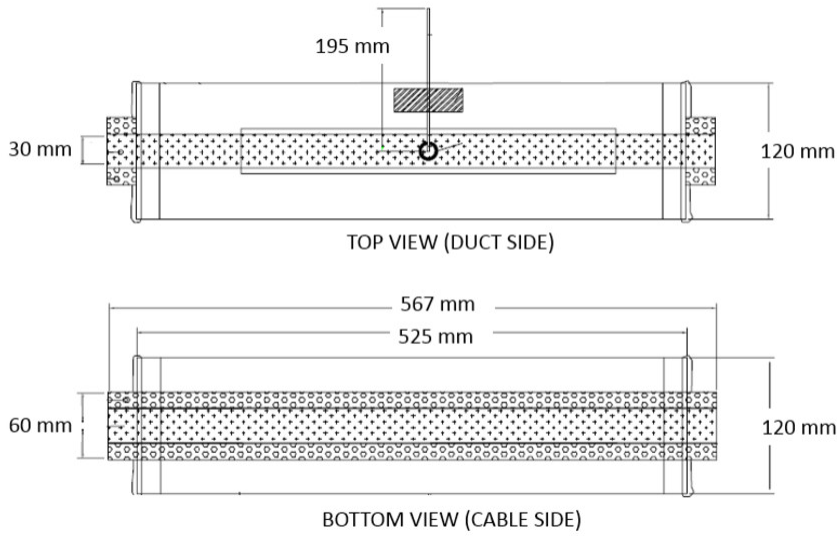
## Product Classification

<b>Regional Availability</b>	EMEA
<b>Product Type</b>	Cable duct seal
<b>Product Series</b>	TDUX
<b>Ordering Note</b>	When sealing more than two cables in a duct, separate orderable TDUX-CL clips are to be used

## Dimensions

<b>Width</b>	120 mm   4.724 in
<b>Length</b>	567 mm   22.323 in
<b>Cable Diameter, maximum</b>	103 mm   4.055 in
<b>Cable Diameter, minimum</b>	83 mm   3.268 in
<b>Conduit Inner Diameter, maximum</b>	125 mm   4.921 in
<b>Conduit Inner Diameter, minimum</b>	110 mm   4.331 in

## Dimension Drawing



## Environmental Specifications

**Installation temperature** -5 °C to +40 °C (+23 °F to +104 °F)

## Packaging and Weights

**Included** Inflatable bladder with sealing mechanism

**Packaging quantity** 10

## Regulatory Compliance/Certifications

### Agency

REACH-SVHC

### Classification

Compliant as per SVHC revision on [www.commscope.com/ProductCompliance](http://www.commscope.com/ProductCompliance)